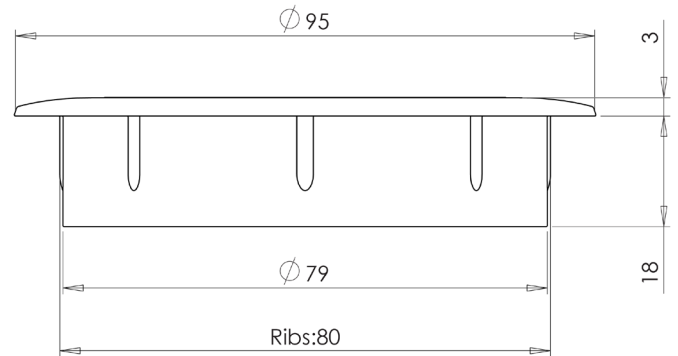


# WIRELESS SURFACE CHARGER

(Standard)



## Product Description

Install this wireless charging transmitter within any desk, meeting table or other worksurface; and enjoy the convenience of being able to charge smartphones and tablets without being tethered or having the hassle of finding a power point.

## Product Specification

Product code	AIR0004B
Finish / colour	Black (standard)
Power cable	2m USB
IP Rating	Rated IP55
Input	DC 5V, 1500mA (plug must be this specification)
Frequency	100-200kHz
Fits into 80mm hole in worksurface (retrofitable to standard 80mm desk grommets)	
Can be secured to underside of work surface using steel plate and screws provided	
Fits to a range of desk thicknesses (18mm - 50mm)	
<b>Plug supplied / purchased separately - AIR0006 (UK), AIR0007 (EU), AIR0008 (US)</b>	
USB power cable allows multiple units to be connected to hub (supplied separately)	
Soft rubber ring to place phone / device on	
Qi certified - supports all Qi compatible devices and Aircharge accessories	

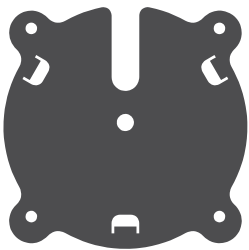


## Provided in the Box



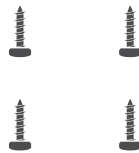
### Charger

The charger comes with a 2m long USB cable, ready to plug into a transformer, computer, or hub



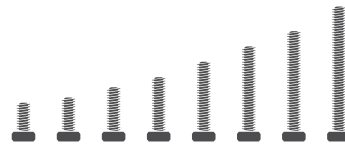
### Steel Plate

The plate clamps the charger to the desk



### Wood Screws

For added security, the plate can be fixed to the desk using the wood screws provided



### Bolts

8 different length bolts are provided to enable you to secure your charger to a range of work top thicknesses (18mm - 50mm)



### Spacers

Spacers may need to be used with the bolt for certain desk thicknesses



### Allen Key

To tighten the bolt



### Cable Clips

Adhesive cable clips hold the power cable to the underside of the desk, ensuring everything is kept tidy (screw-in clips can also be provided)



### Learn More

Scan the QR-code above to view a video of this product

